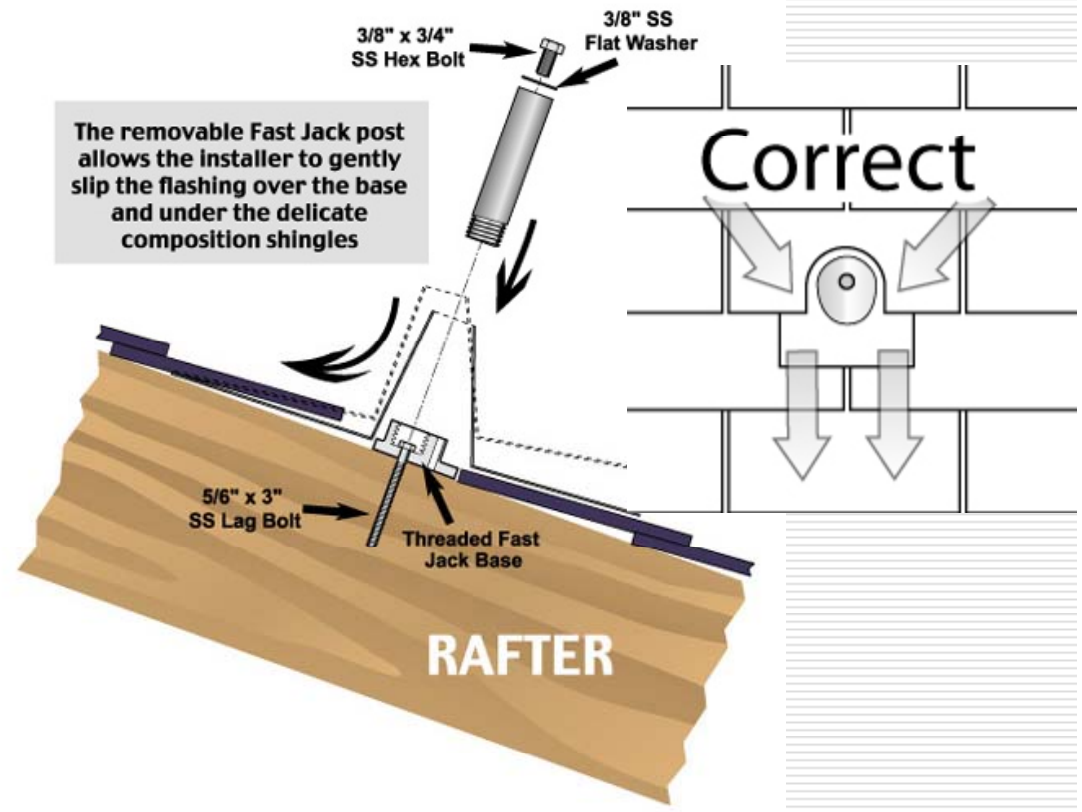


Solar Roof Jack



Solar Fast Jack with Flashing



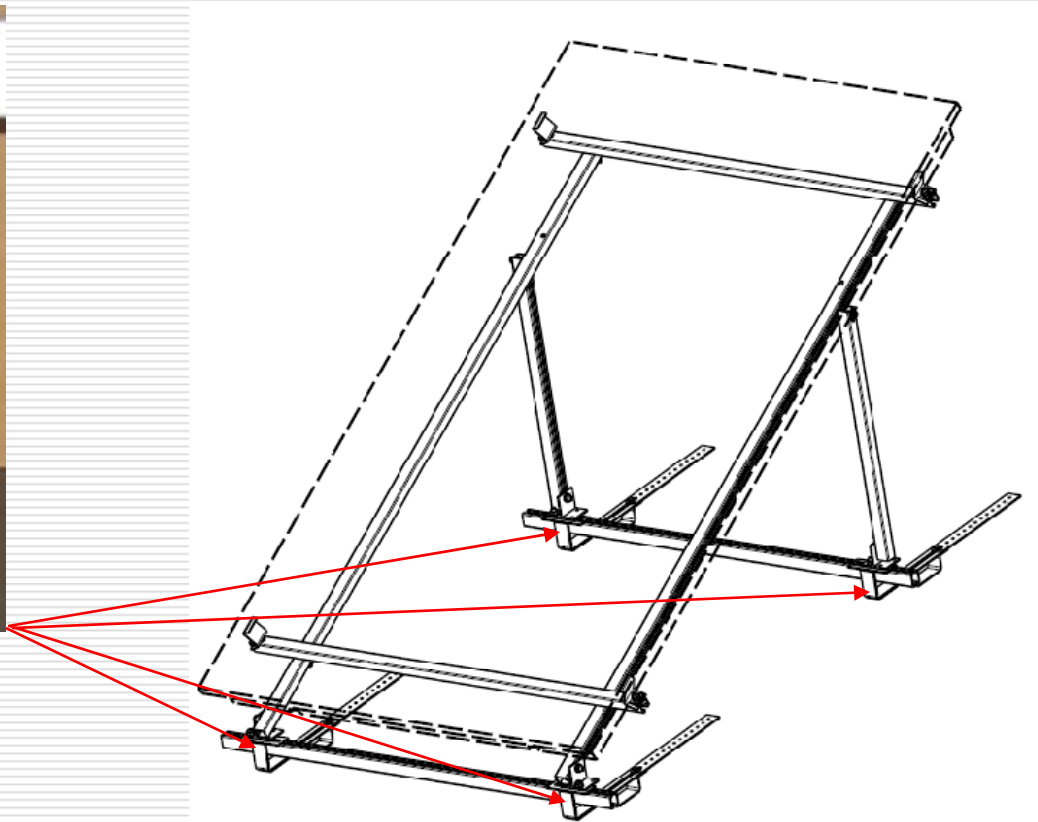
Roof Jack



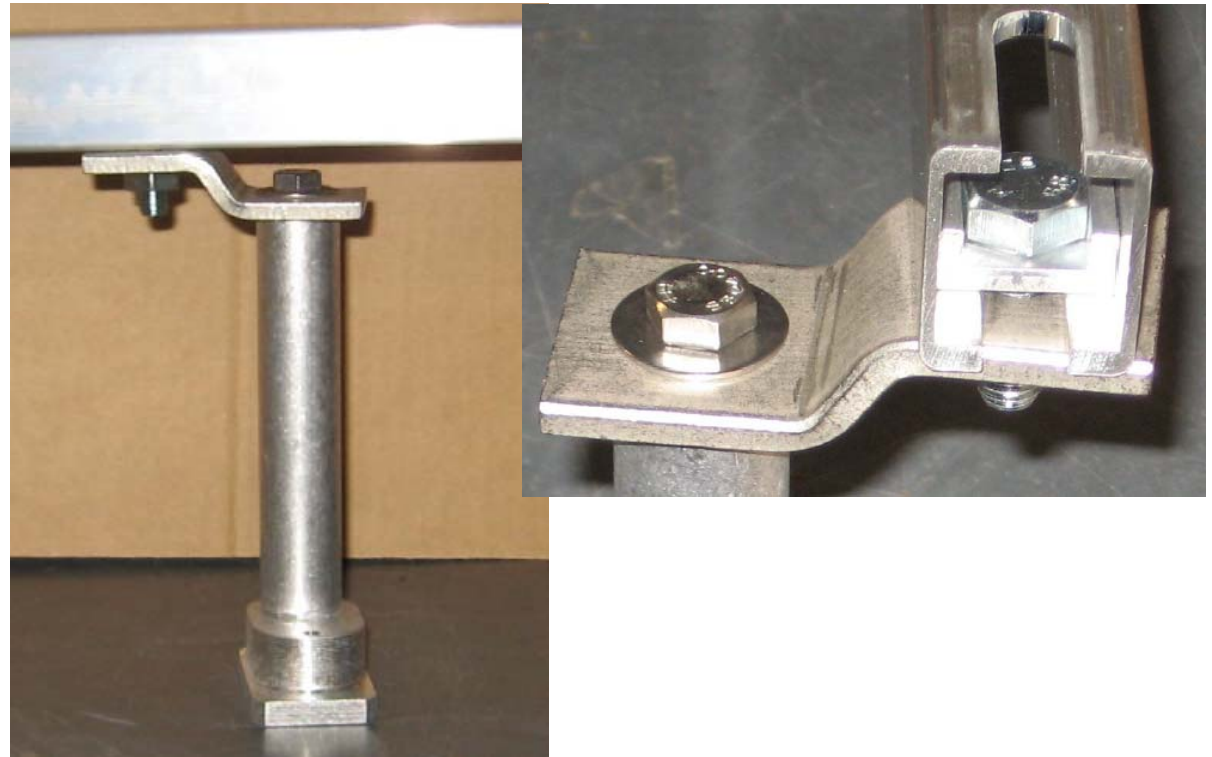
Roof mounted with Jack System



Solar Fast Jack with Adjustable Stand



Roof Jack System



Patented design locates the lag bolt directly under the stanchion providing superior strength values

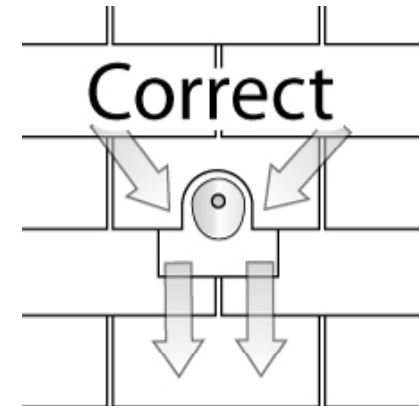
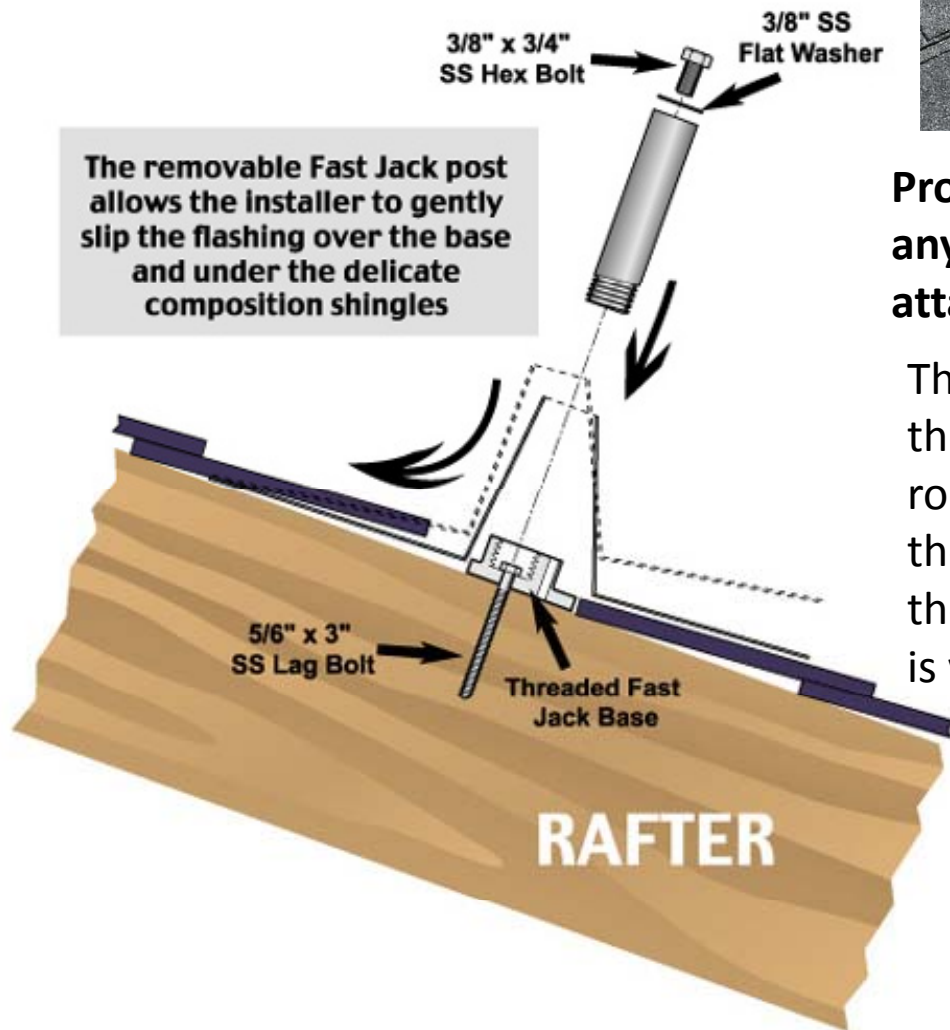
Fast & easy to install - saves time and labor costs

Precision machined from extruded aluminum, there are no welds to corrode or break

Significantly lighter than steel for installer convenience and reduced shipping costs

Integrated drill guide insures perfect pilot holes every time - minimizes the possibility of splitting roof rafters

Base design allows virtually any roof flashing to install flat on the roof deck



Properly Installed Flashing is imperative on any installed anchor to insure the structural attachments provide a water-tight seal.

The correct placement of a flashing is to cut in the area where the lag bolt is engaged to the roof. This method keeps water from entering the space underneath the flashing. By keeping the area where the lag bolt hole is made, there is virtually no opportunity for roof leaks.