

Part #

Submittal Data Information

Roth Solar Roof Anchor



Effective: September 2008

Supersedes:

Job: _____ Engineer: _____ Contractor: _____ Rep: _____

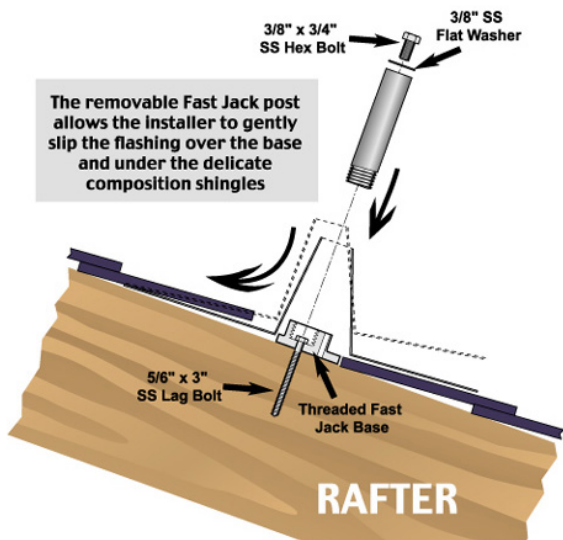
ITEM PART NO.	ITEM DESCRIPTION	MANUFACTURER
#	Roth FastJack System	Roth

Removable post makes installation on existing roofs/retrofit quick and easy
 design locates the lag bolt directly under the stanchion providing superior strength values
 Precision machined from extruded aluminum, there are no welds to corrode or break
 Significantly lighter than steel for installer convenience
 Integrated drill guide insures perfect pilot holes every time - minimizes the possibility of splitting roof rafters
 Base design allows virtually any roof flashing to install flat on the roof deck

LOAD CAPACITIES
 2,359 lbs. Vertical
 808 lbs Side Axial
 (using a 3-1/2" lag bolt)



Height available 7-1/2", 6", 4-1/2", 3"



Your Environment is Our Business.®

ROTH Industries, Inc, 268 Bellew Avenue South, Watertown, NY 13601
 ROTH Industries, Inc, 1607 rue de l'Industrie, Beloeil, QC J3G 4S5

Telephone: (315) 755-1011 Fax: (315) 755-1013
 Telephone: (800) 969-7684 Fax: (450) 464-7950

Visit our website at: www.roth-america.com

Copyright 2007