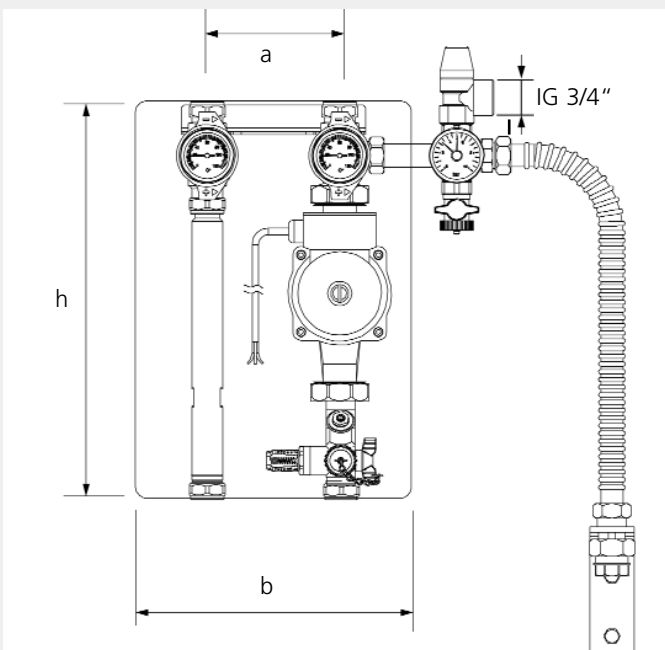


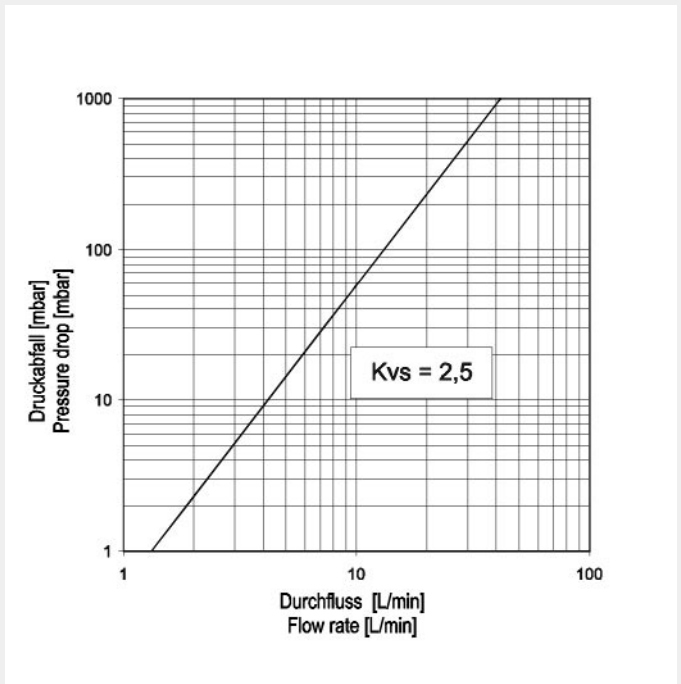
Technical Data Roth Solar Station

Characteristics	Specifications
Nominal size	DN 25
Controls and fittings	Brass
Seals	EPDM/Teflon
Insulation	EPP, multipart
Maximum pressure*	10 bar at 100°C
Safety valve	Safety group with safety valve 6 bar and manometer 10 bar
Maximum temperature	100°C continuous/120° short-term
Flow measurement device	2-16 l/min, adjusted to water/glycol mixture (40-50% glycol)
Gravity brake	2 (supply + return), integrated into the shut off valve, mountable, by means of 45° position of the handle
Pump	RS 25 /6 RP 11/2" Power consumption: Level 1: 46 Level 2: 67W Level 3 :93W Maximum Lift 6 m Maximum flow rate 4.5 m³/h
Connections	4 x 22 mm, 18 mm Cu clamping ring thread
Axis clearance a	125 mm
Width with insulation b	250 mm
Height with insulation h	350 mm
Length armoured hose	480 mm

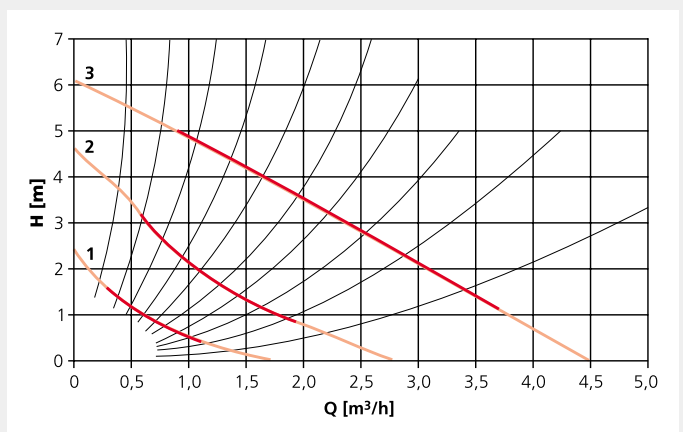
* without safety valve



Roth Solar Station



Flow rate diagram of the Roth Solar Station



Pump characteristic curve RS 25/6

The Roth Solar Station

- Integrated filling and rinsing armature
- All materials used are specially tested for use in solar installations
- Filling and discharge tap
- MEV connection set and wall angle

Roth

ROTH WERKE GMBH
Am Seerain, 35232 Dautphetal
Tel. (0 64 66) 9 22-0, Fax (0 64 66) 9 22-1 00

<http://www.roth-werke.de> • E-Mail: service@roth-werke.de

